

**DRAWING APPROVAL**  
 DATE  
 APPROVED BY  
 (PRINT)  
 SIGNED:

DRAWING NO. **DMS2-SHT01** VERSION **A**

**NOTES**  
 1. DIMENSIONS ARE SUBJECT TO DIMENSIONAL TOLERANCES AND RELATE TO THE COMPLEXITY AND FIT OF THE COMPONENTS TO BS EN ISO 5459:2011.  
 2. ALL DIMENSIONS IN MILLIMETERS.  
 3. COLOUR 14C39, RAL 6005.

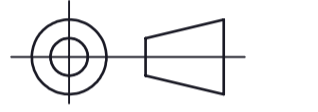
**REFERENCES:**

-DMS2-SHT02  
 -DMS2-SHT03

**COMPLIANCES:**

1. COMPLY WITH BS EN ISO 5459:2011 GEOMETRICAL TOLERANCING.  
 2. THIS DRAWING BORDER IS COMPLIANT TO BS-8888:2011, SECTION 2.6.1  
 3. COMPLY WITH LOLER REGULATION

THIRD ANGLE PROJECTION



13/04/2016	RT	TH	TC	A	FIRST ISSUE
DATE	DRWN	CHKD	REVD	VER	REASON FOR ISSUE

THIS DRAWING BORDER IS COMPLIANT TO BS-8888:2011, SECTION 2.6.1  
 THIS DRAWING IS ISSUED BY WPL LTD SUBJECT TO THE CONDITIONS THAT IT IS NOT COPIED EITHER IN WHOLE OR IN PART OR DISCLOSED TO THIRD PARTIES UNLESS PRIOR WRITTEN AUTHORISATION IS GIVEN BY WPL LTD  
 DO NOT SCALE THIS DRAWING - IF IN DOUBT ASK

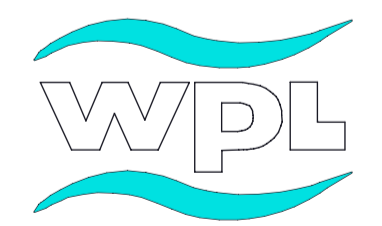
**WEIGHTS + DIMENSIONS:**

**WEIGHTS 01:**  
 EMPTY WEIGHT 155 KG'S  
 OPERATING WEIGHT 2.425 KG'S  
**SHIPPING DIMS 01**  
 LENGTH 1.77M  
 WIDTH 1.77M  
 HEIGHT 2.5M

**LIFTING POINTS**  
 MARKED AS AN ENCIRCLED L

**CENTER OF GRAVITY**  
 MARKED AS AN ENCIRCLED G

ANY DESIGNS OR INNOVATIONS REPRESENTED IN THE DRAWING SPACE ARE THE SOLE OWNERSHIP OF WPL LTD AND AS SUCH COPYRIGHT AND DESIGN RIGHTS IMPLICITLY APPLY.



WPL Ltd  
 Units 1 & 2 Aston road  
 Waterlooville  
 Hampshire  
 PO7 7UX

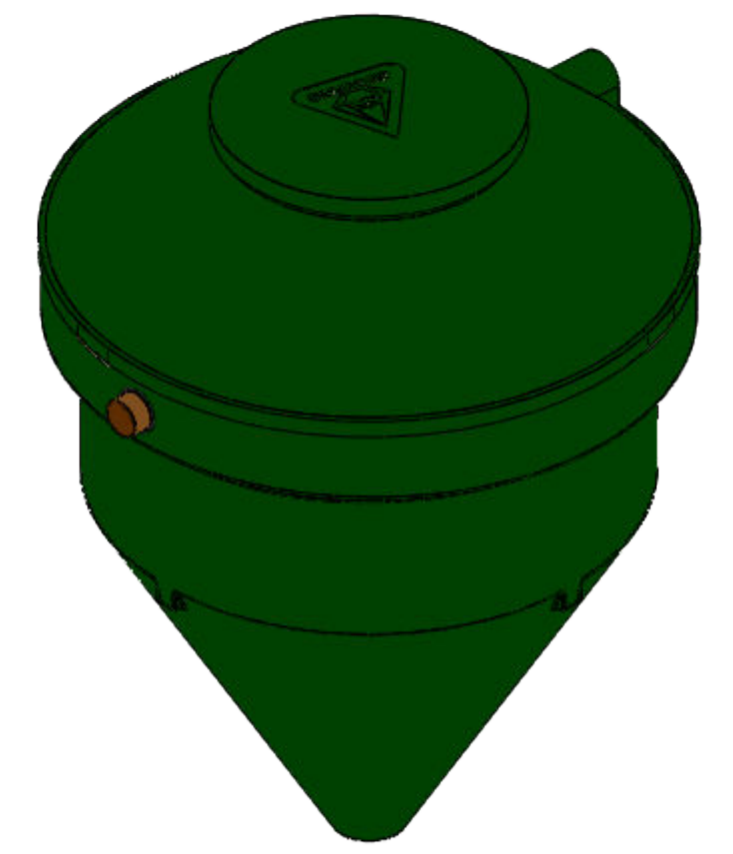
ORIGINATORS DRAWING No. **DMS2-SHT01** VERSION **A**

PROJECT TITLE  
**DMS2 DIAMOND**

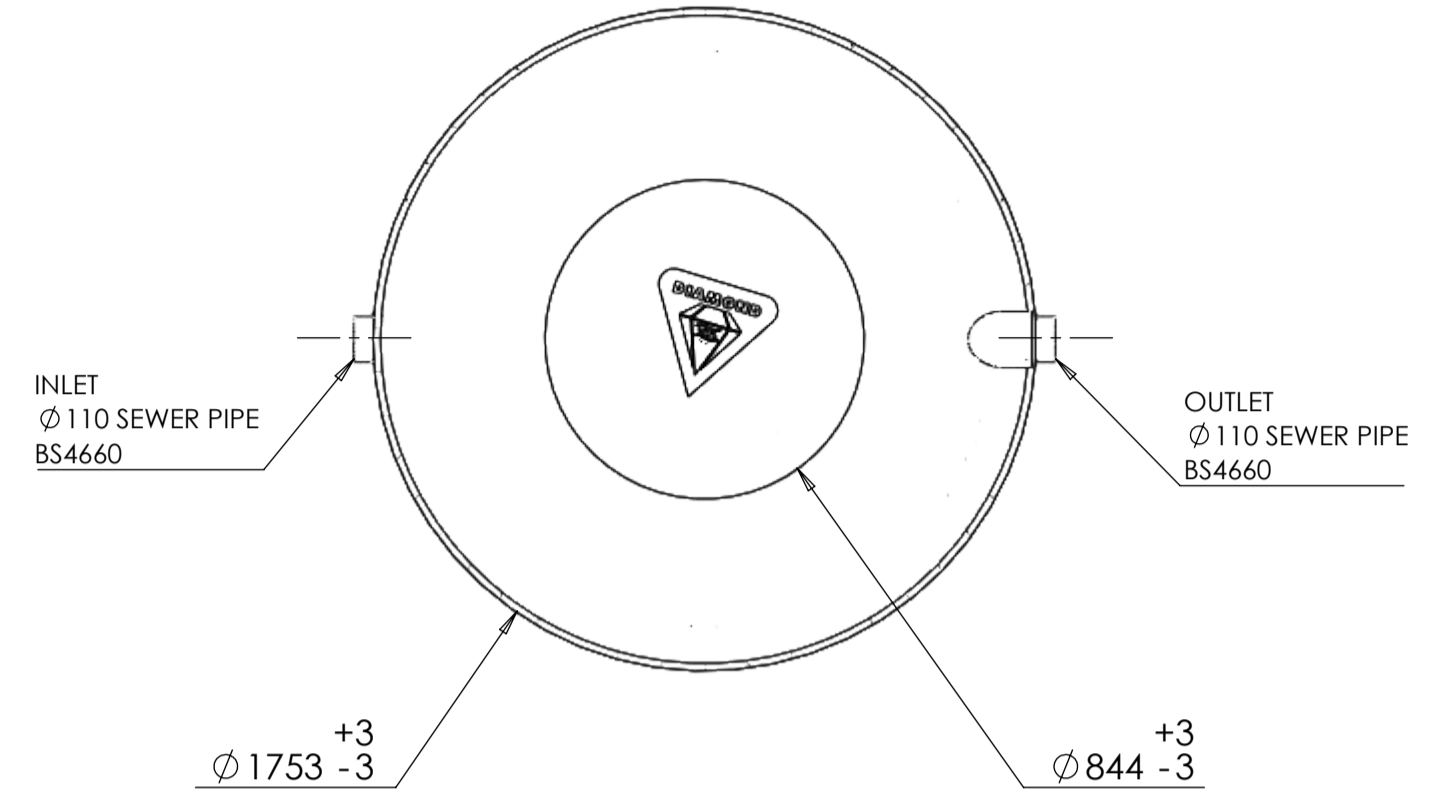
DRAWING TITLE  
**GENERAL ARRANGEMENT**

SCALE **1:20** SITE No **NA**

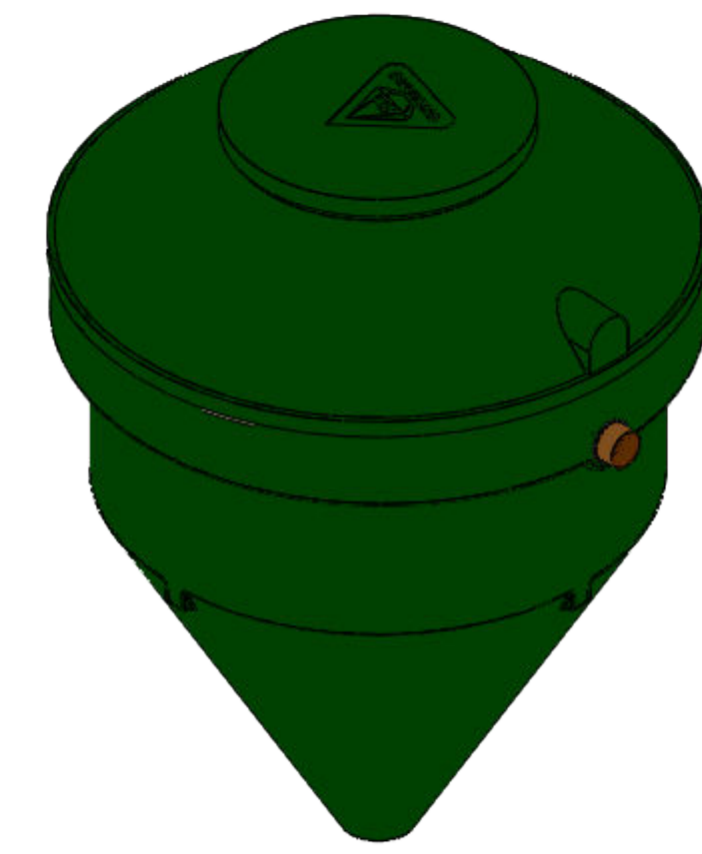
DRAWING NO. **DMS2-SHT01** VERSION **A**



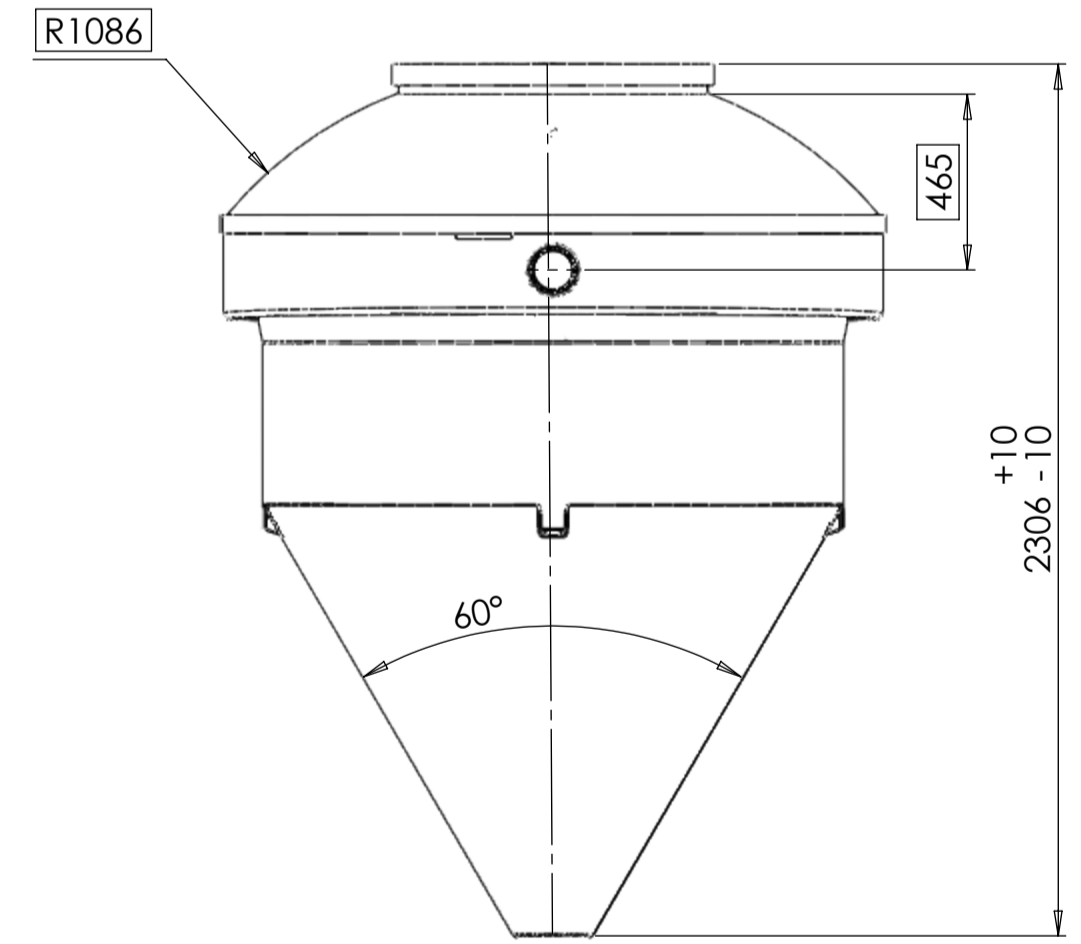
ISO VIEW LEFT



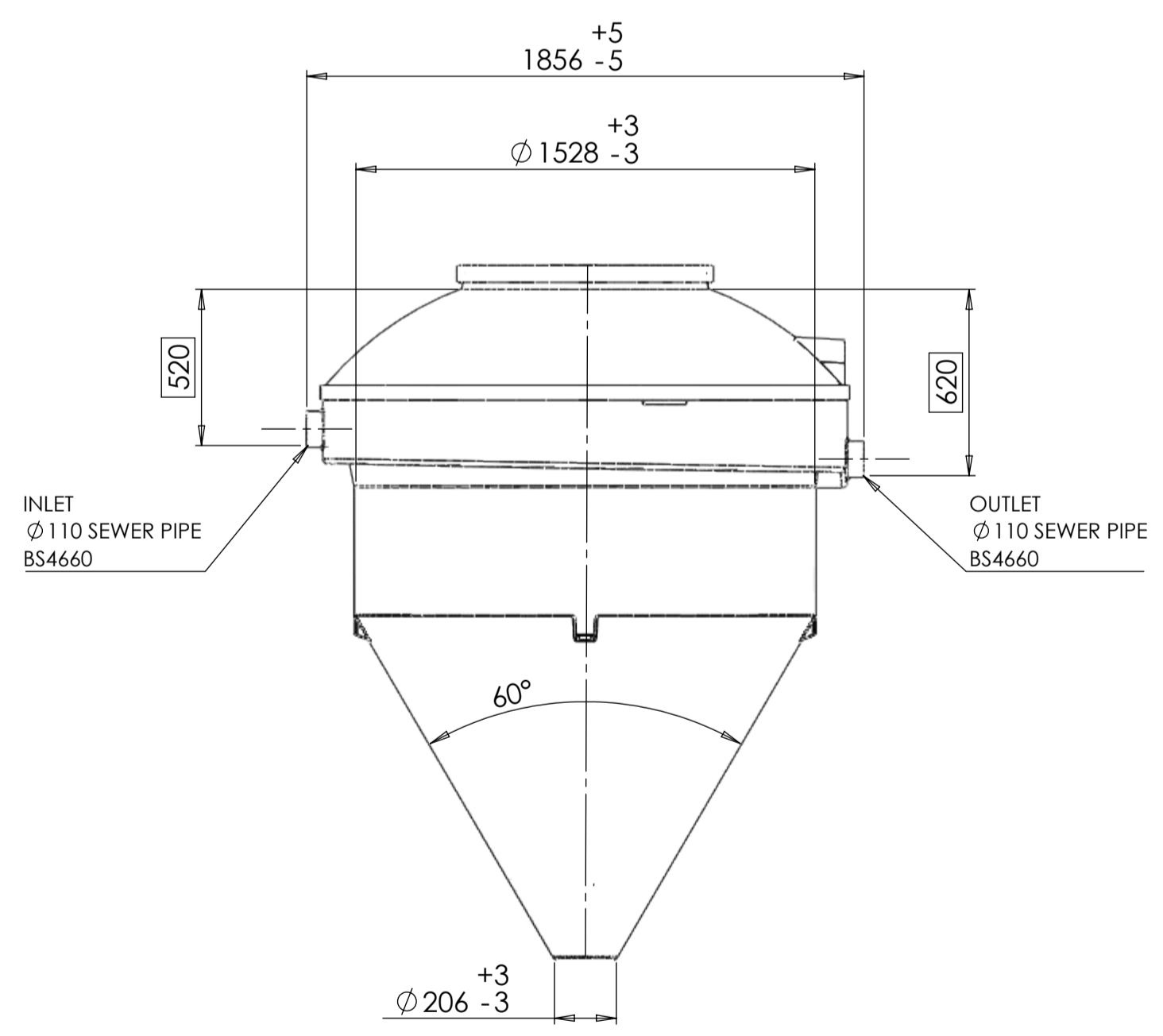
PLAN VIEW



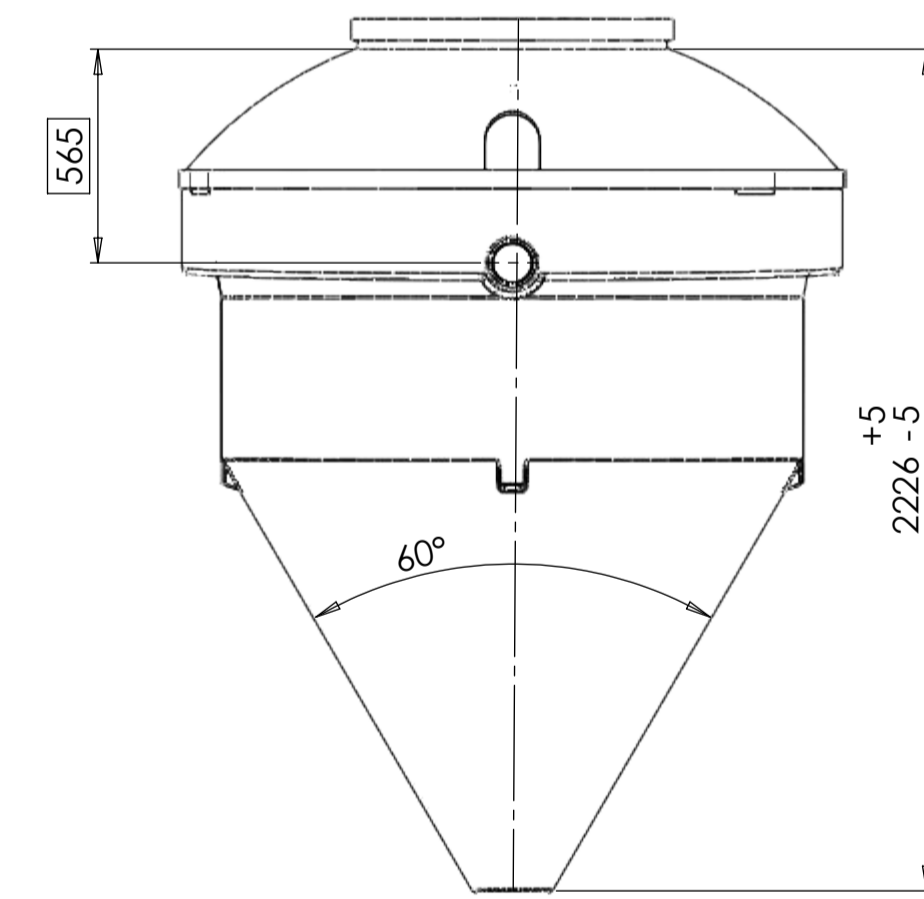
ISO VIEW RIGHT



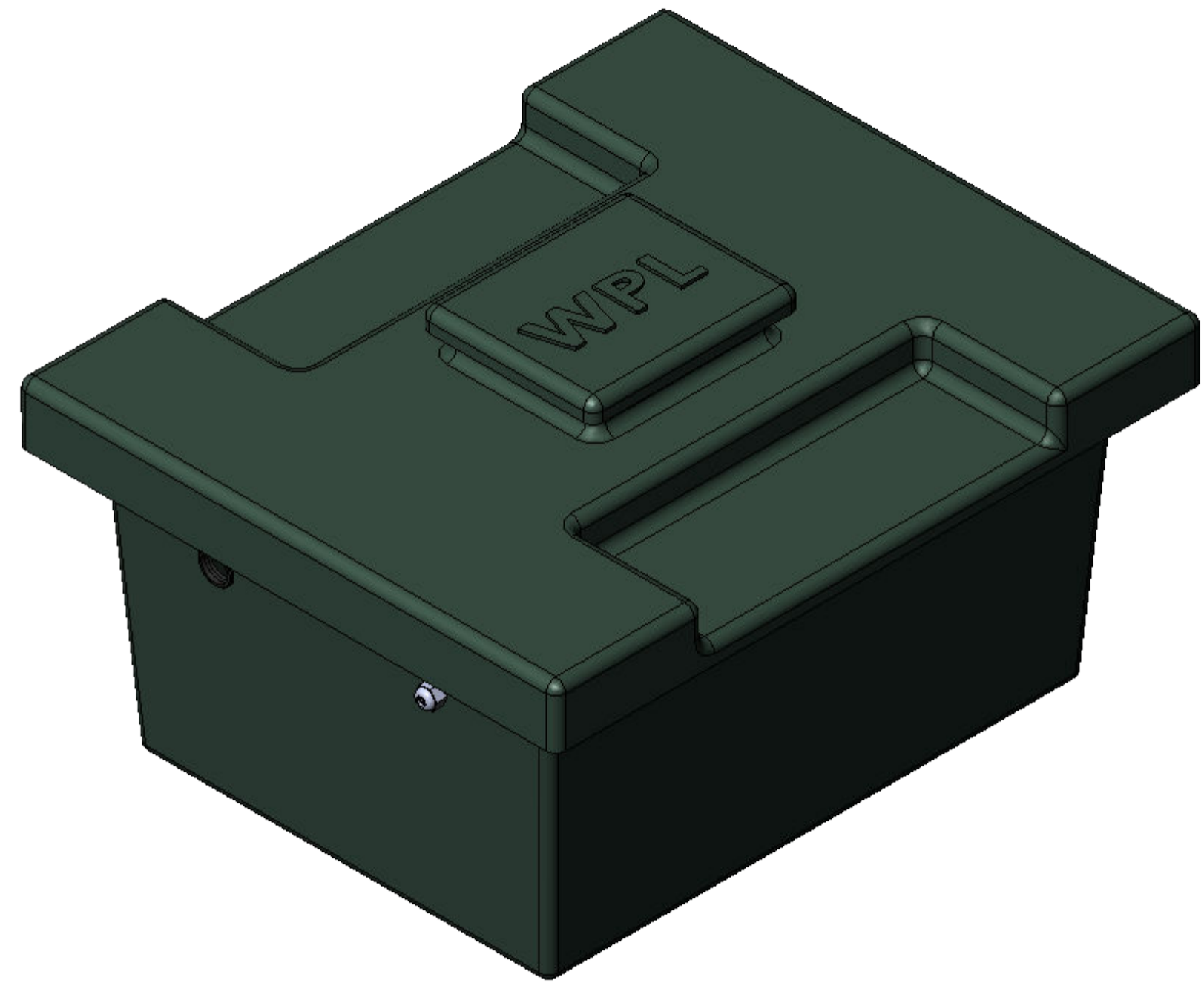
FRONT VIEW



SIDE VIEW

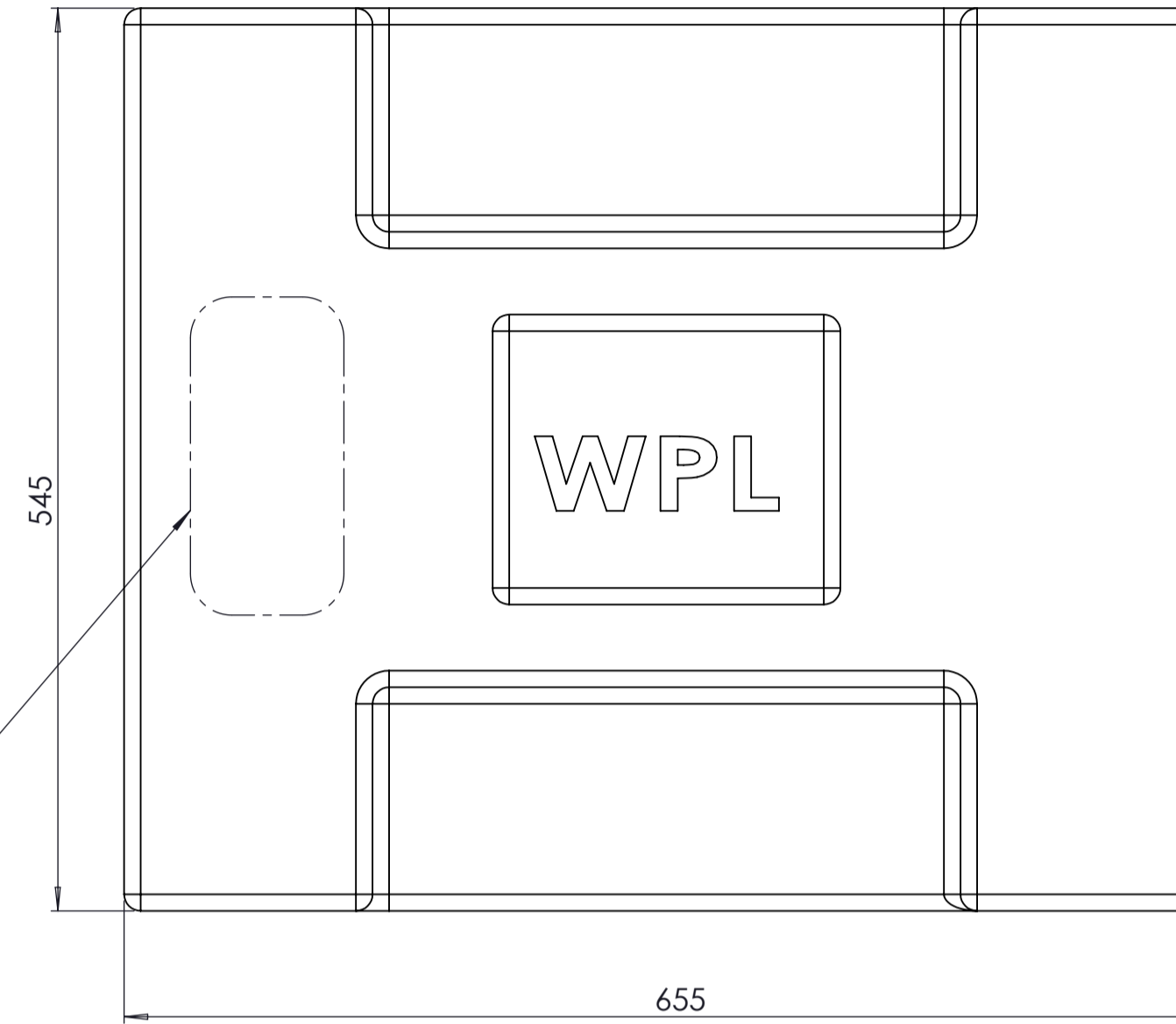


REAR VIEW

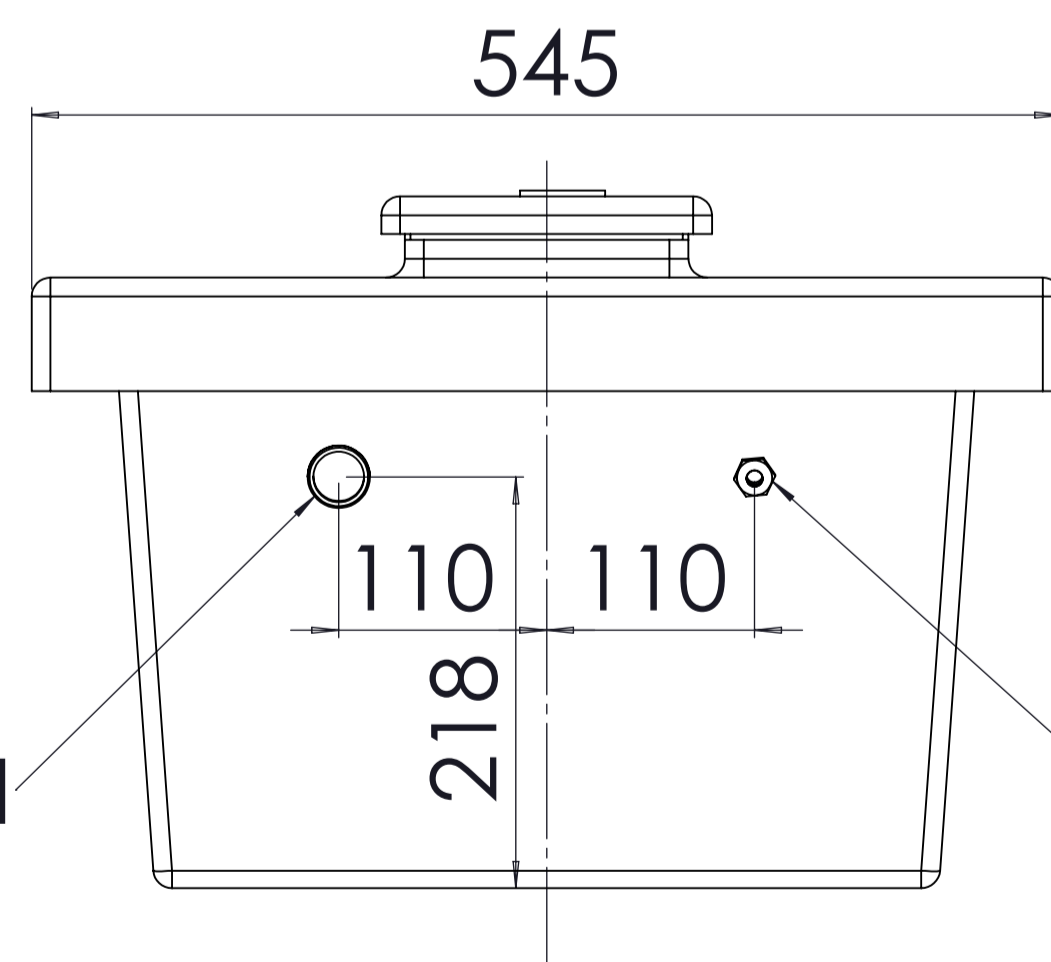


ISO VIEW

PLAQUE METALLIQUE  
COLLEE SOUS LE  
COUVERCLE



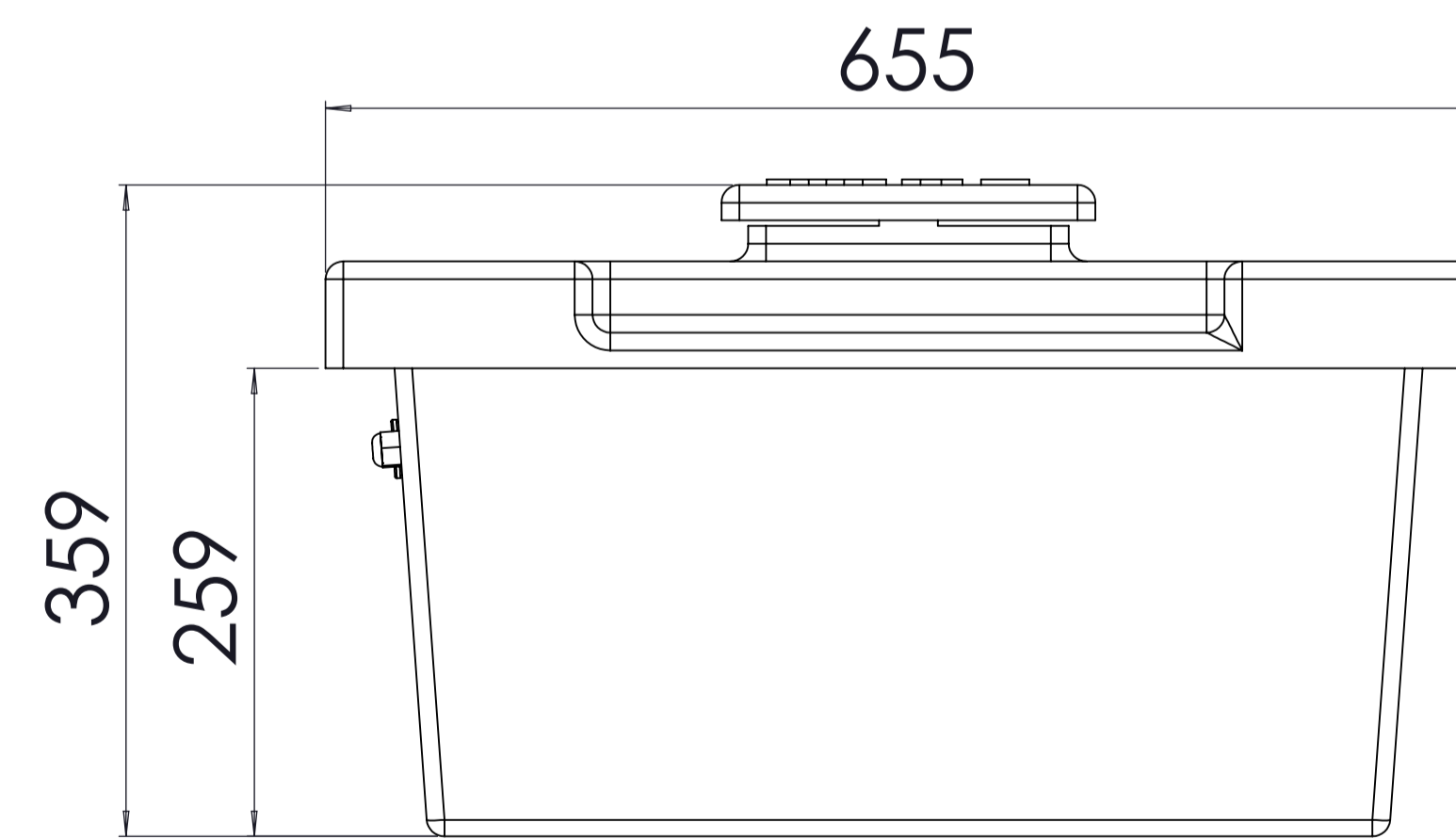
TOP VIEW



JOINT PASSAGE  
GAINE AERATION

PRESSE-ETOUPE

VUE DE FACE



VUE DE COTE

<b>DRAWING APPROVAL</b>		DRAWING NO.	VERSION												
DATE		DD-652-008 FR	A												
APPROVED BY (PRINT)		NOTES													
SIGNED:		1.DIMENSIONS ARE SUBJECT TO DIMENSIONAL TOLERANCES AND RELATE TO THE COMPLEXITY AND FIT OF THE COMPONENTS TO BS EN ISO 5459:2011. 2.ALL DIMENSIONS IN MILLIMETERS. 3.DRAWING IN THIRD ANGLE PROJECTION.													
REFERENCES:															
COMPLIANCES:															
1.DIMENSIONS ARE SUBJECT TO DIMENSIONAL TOLERANCES AND RELATE TO THE COMPLEXITY AND FIT OF THE COMPONENTS TO BS EN ISO 5459:2011. 2.THIS DRAWING BOARDER IS COMPLIANT TO BS-8888:2011, SECTION 2.6.1															
LEGEND		THIRD ANGLE PROJECTION													
CURRENT VERSION INFORMATION															
A. FIRST ISSUE															
<table border="1"> <tr> <td>24/05/2017</td> <td>RT</td> <td>TC</td> <td></td> <td>A</td> <td>FIRST ISSUE</td> </tr> <tr> <th>DATE</th> <th>DRWN</th> <th>CHKD</th> <th>REVD</th> <th>VER</th> <th>REASON FOR ISSUE</th> </tr> </table>				24/05/2017	RT	TC		A	FIRST ISSUE	DATE	DRWN	CHKD	REVD	VER	REASON FOR ISSUE
24/05/2017	RT	TC		A	FIRST ISSUE										
DATE	DRWN	CHKD	REVD	VER	REASON FOR ISSUE										
<small>THIS DRAWING BOARDER IS COMPLIANT TO BS-8888:2011, SECTION 2.6.1 THIS DRAWING IS ISSUED BY WPL LTD SUBJECT TO THE CONDITIONS THAT IT IS NOT COPIED EITHER IN WHOLE OR IN PART OR DISCLOSED TO THIRD PARTIES UNLESS PRIOR WRITTEN AUTHORISATION IS GIVEN BY WPL LTD DO NOT SCALE THIS DRAWING - IF IN DOUBT ASK</small>															
WEIGHTS + DIMENSIONS:															
WEIGHTS 01:		WEIGHTS 02:													
EMPTY WEIGHT	*****KG'S	EMPTY WEIGHT	*****KG'S												
OPERATING WEIGHT	*****KG'S	OPERATING WEIGHT	*****KG'S												
SHIPPING DIMS 01		SHIPPING DIMS 02													
LENGTH	*****M	LENGTH	*****M												
WIDTH	*****M	WIDTH	*****M												
HEIGHT	*****M	HEIGHT	*****M												
LIFTING POINTS		CENTER OF GRAVITY													
MARKED AS AN ENCIRCLED (L)		MARKED AS AN ENCIRCLED (G)													
<small>ANY DESIGNS OR INNOVATIONS REPRESENTED IN THE DRAWING SPACE ARE THE SOLE OWNERSHIP OF WPL LTD AND AS SUCH COPYRIGHT AND DESIGN RIGHTS IMPLICITLY APPLY.</small>															
		WPL Ltd Units 1 & 2 Aston road Waterlooville Hampshire PO7 7UX													
ORIGINATORS DRAWING No.		VERSION													
DD-652-008 FR		A													
PROJECT TITLE															
ROTA DIAMOND KIOSK FRANCE															
DRAWING TITLE		SCALE													
ROTA DIAMOND KIOSK FRANCE		NTS													
SCALE		SITE No													
NTS		0000													
DRAWING NO.		VERSION													
DD-652-008 FR		A													