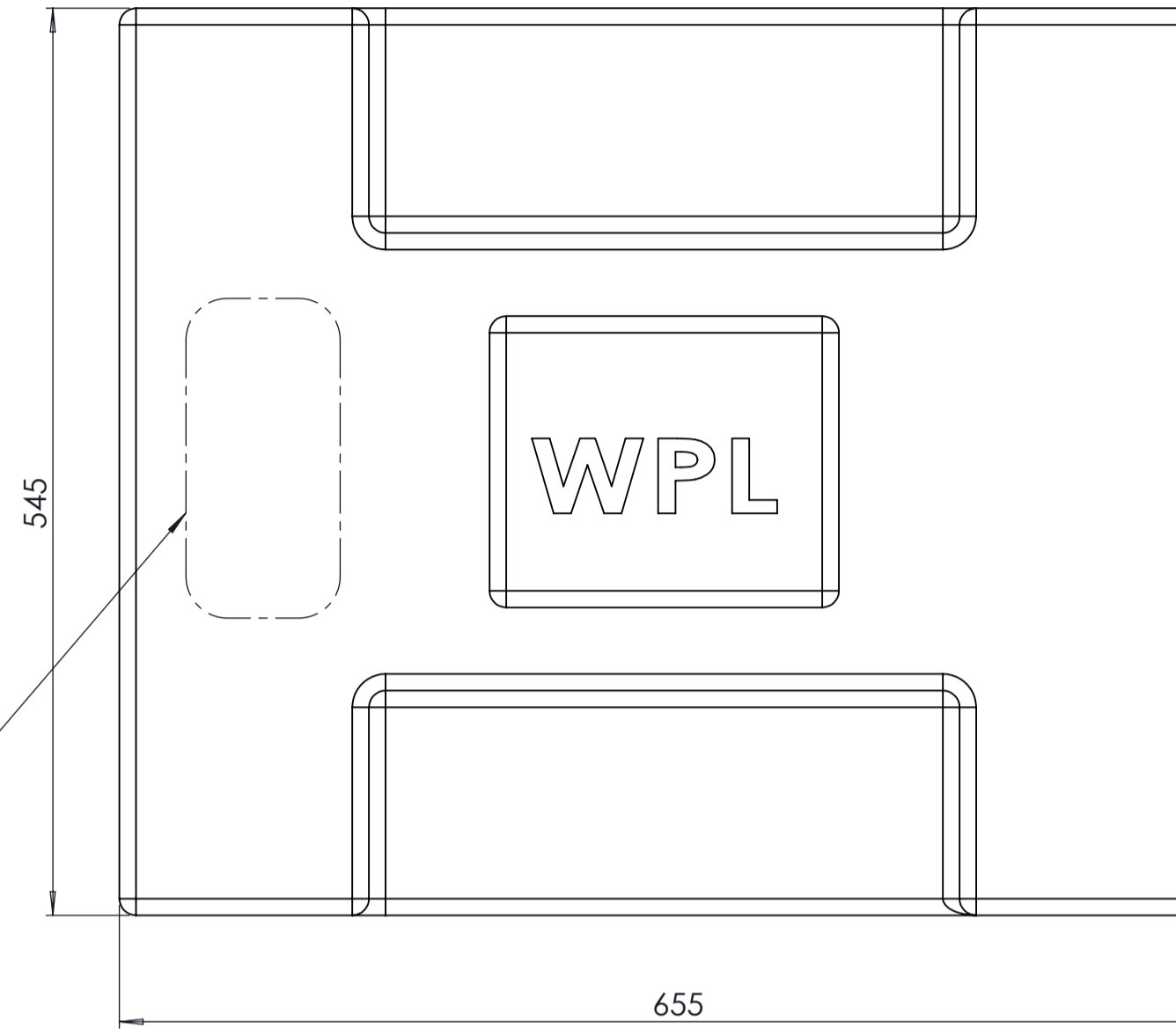
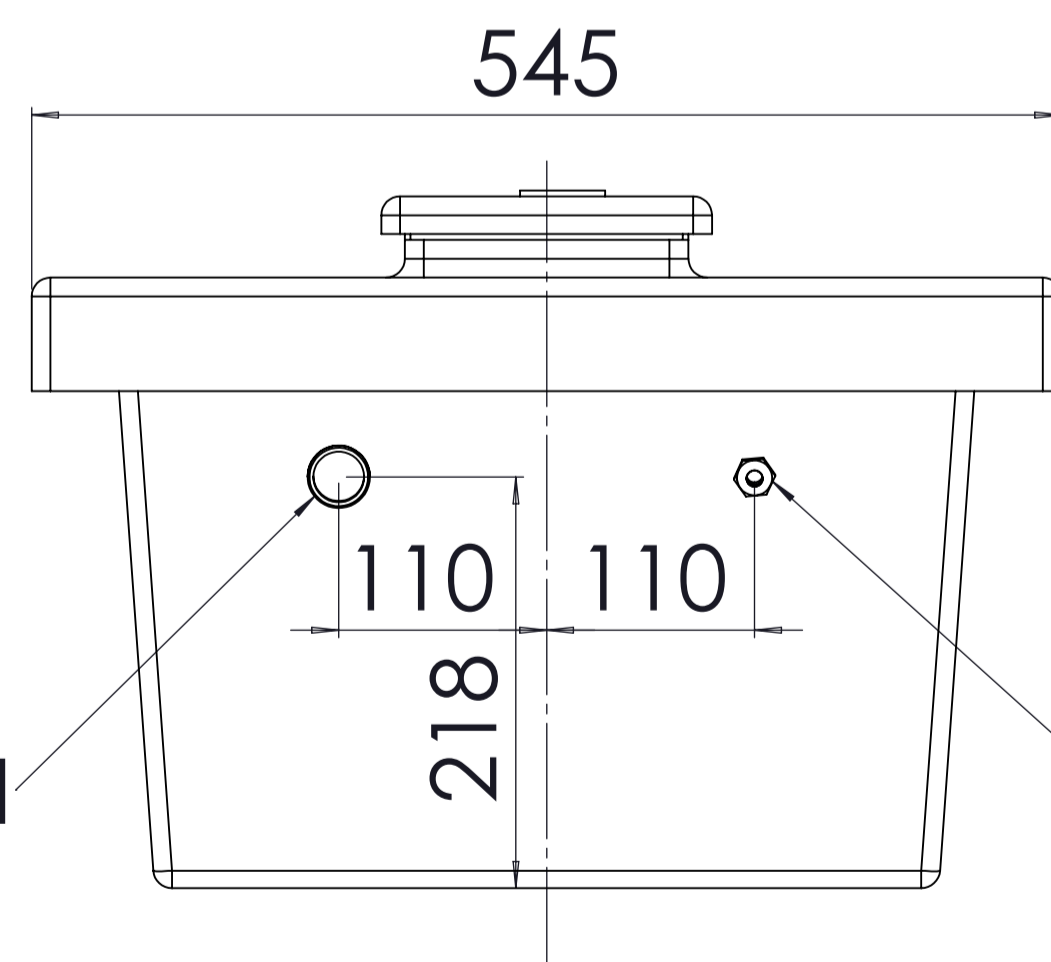


ISO VIEW



PLAQUE METALLIQUE
COLLEE SOUS LE
COUVERCLE

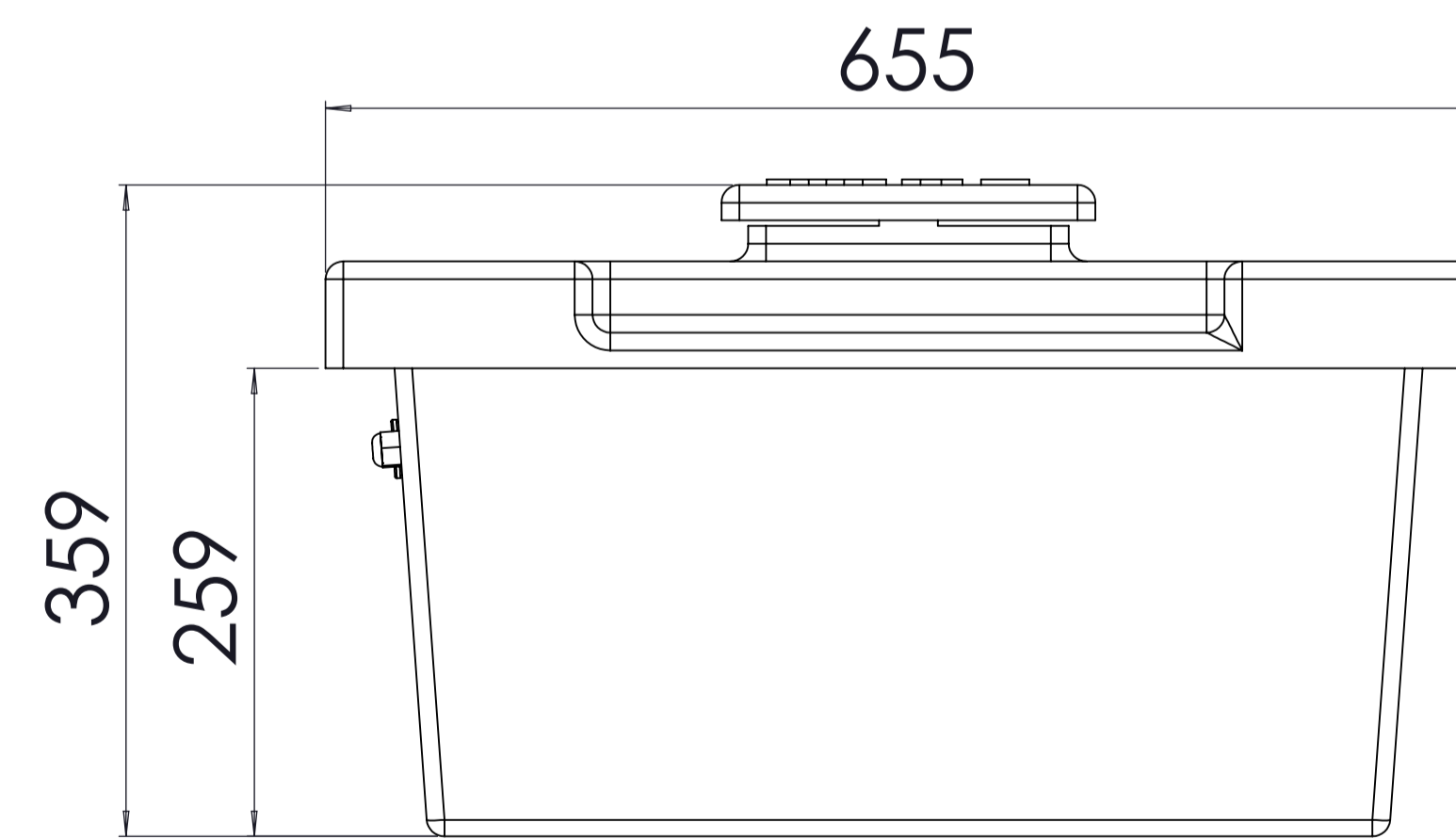
TOP VIEW



JOINT PASSAGE
GAINE AERATION

PRESSE-ETOUPE

VUE DE FACE



VUE DE COTE

DRAWING APPROVAL		DRAWING NO.	VERSION												
DATE	APPROVED BY (PRINT)	DD-652-008 FR	A												
NOTES															
1.DIMENSIONS ARE SUBJECT TO DIMENSIONAL TOLERANCES AND RELATE TO THE COMPLEXITY AND FIT OF THE COMPONENTS TO BS EN ISO 5459:2011.															
2.ALL DIMENSIONS IN MILLIMETERS.															
3.DRAWING IN THIRD ANGLE PROJECTION.															
REFERENCES:															
COMPLIANCES:															
1.DIMENSIONS ARE SUBJECT TO DIMENSIONAL TOLERANCES AND RELATE TO THE COMPLEXITY AND FIT OF THE COMPONENTS TO BS EN ISO 5459:2011.															
2.THIS DRAWING BOARDER IS COMPLIANT TO BS-8888:2011, SECTION 2.6.1															
LEGEND	THIRD ANGLE PROJECTION														
CURRENT VERSION INFORMATION															
A. FIRST ISSUE															
<table border="1"> <tr> <td>24/05/2017</td> <td>RT</td> <td>TC</td> <td></td> <td>A</td> <td>FIRST ISSUE</td> </tr> <tr> <th>DATE</th> <th>DRWN</th> <th>CHKD</th> <th>REVD</th> <th>VER</th> <th>REASON FOR ISSUE</th> </tr> </table>				24/05/2017	RT	TC		A	FIRST ISSUE	DATE	DRWN	CHKD	REVD	VER	REASON FOR ISSUE
24/05/2017	RT	TC		A	FIRST ISSUE										
DATE	DRWN	CHKD	REVD	VER	REASON FOR ISSUE										
<small>THIS DRAWING BOARDER IS COMPLIANT TO BS-8888:2011, SECTION 2.6.1 THIS DRAWING IS ISSUED BY WPL LTD SUBJECT TO THE CONDITIONS THAT IT IS NOT COPIED EITHER IN WHOLE OR IN PART OR DISCLOSED TO THIRD PARTIES UNLESS PRIOR WRITTEN AUTHORISATION IS GIVEN BY WPL LTD DO NOT SCALE THIS DRAWING - IF IN DOUBT ASK</small>															
WEIGHTS + DIMENSIONS:															
WEIGHTS 01:	WEIGHTS 02:														
EMPTY WEIGHT *****KG'S	EMPTY WEIGHT *****KG'S														
OPERATING WEIGHT *****KG'S	OPERATING WEIGHT *****KG'S														
SHIPPING DIMS 01	SHIPPING DIMS 02														
LENGTH *****M	LENGTH *****M														
WIDTH *****M	WIDTH *****M														
HEIGHT *****M	HEIGHT *****M														
LIFTING POINTS	CENTER OF GRAVITY														
MARKED AS AN ENCIRCLED (L)	MARKED AS AN ENCIRCLED (G)														
<small>ANY DESIGNS OR INNOVATIONS REPRESENTED IN THE DRAWING SPACE ARE THE SOLE OWNERSHIP OF WPL LTD AND AS SUCH COPYRIGHT AND DESIGN RIGHTS IMPLICITLY APPLY.</small>															
		WPL Ltd Units 1 & 2 Aston road Waterlooville Hampshire PO7 7UX													
ORIGINATORS DRAWING No.		VERSION													
DD-652-008 FR		A													
PROJECT TITLE															
ROTA DIAMOND KIOSK FRANCE															
DRAWING TITLE															
SCALE		SITE No													
NTS		0000													
DRAWING NO.		VERSION													
DD-652-008 FR		A													