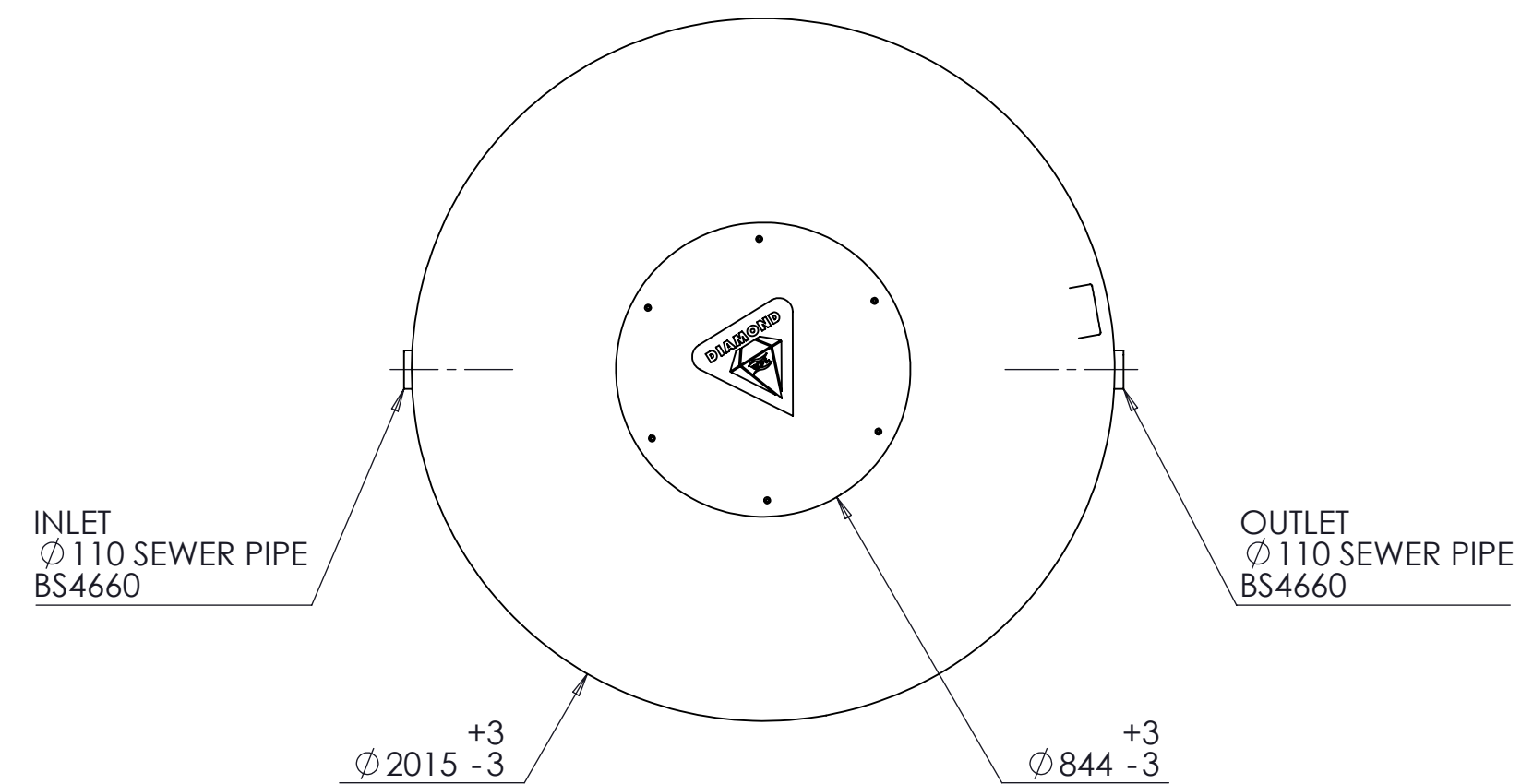


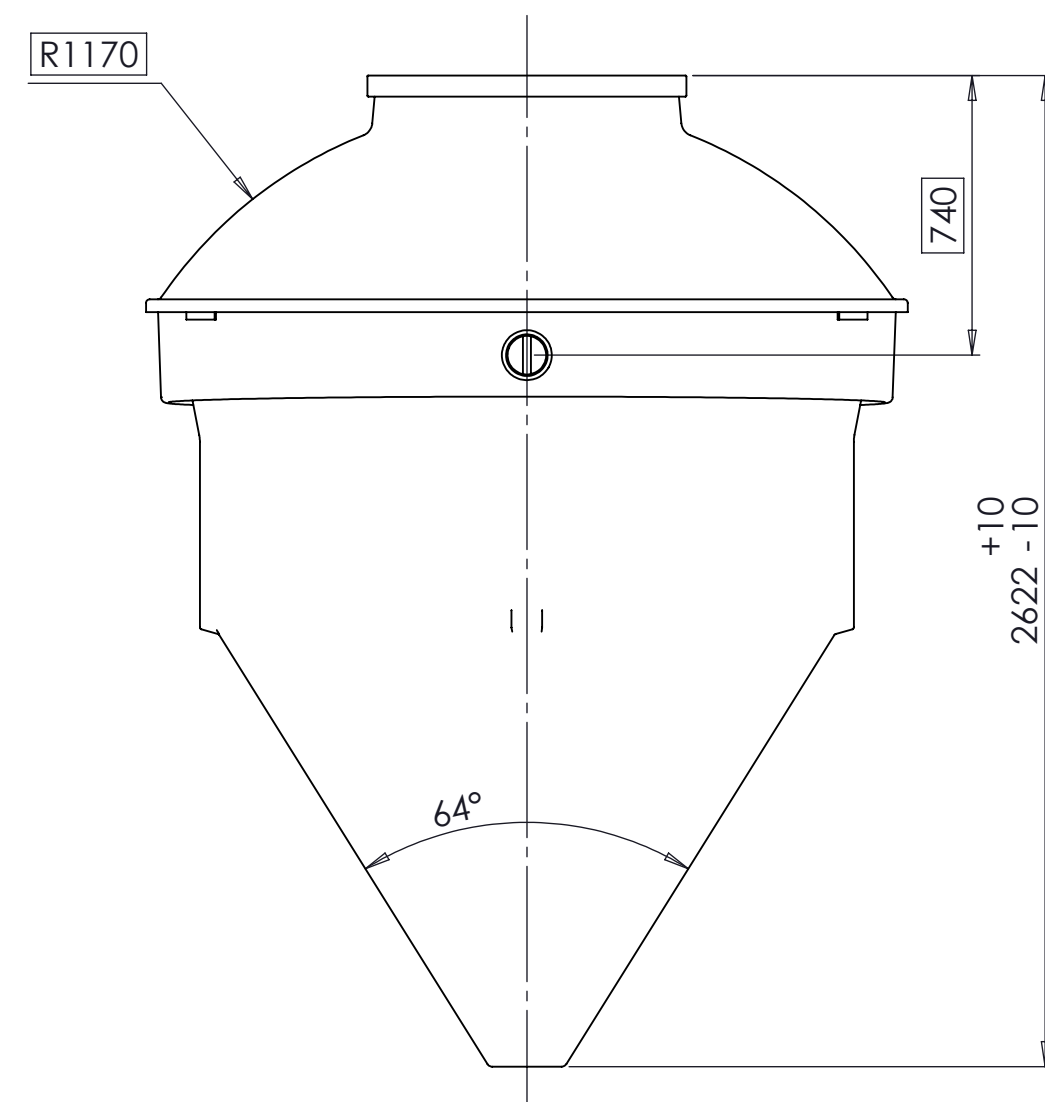
ISO VIEW LEFT



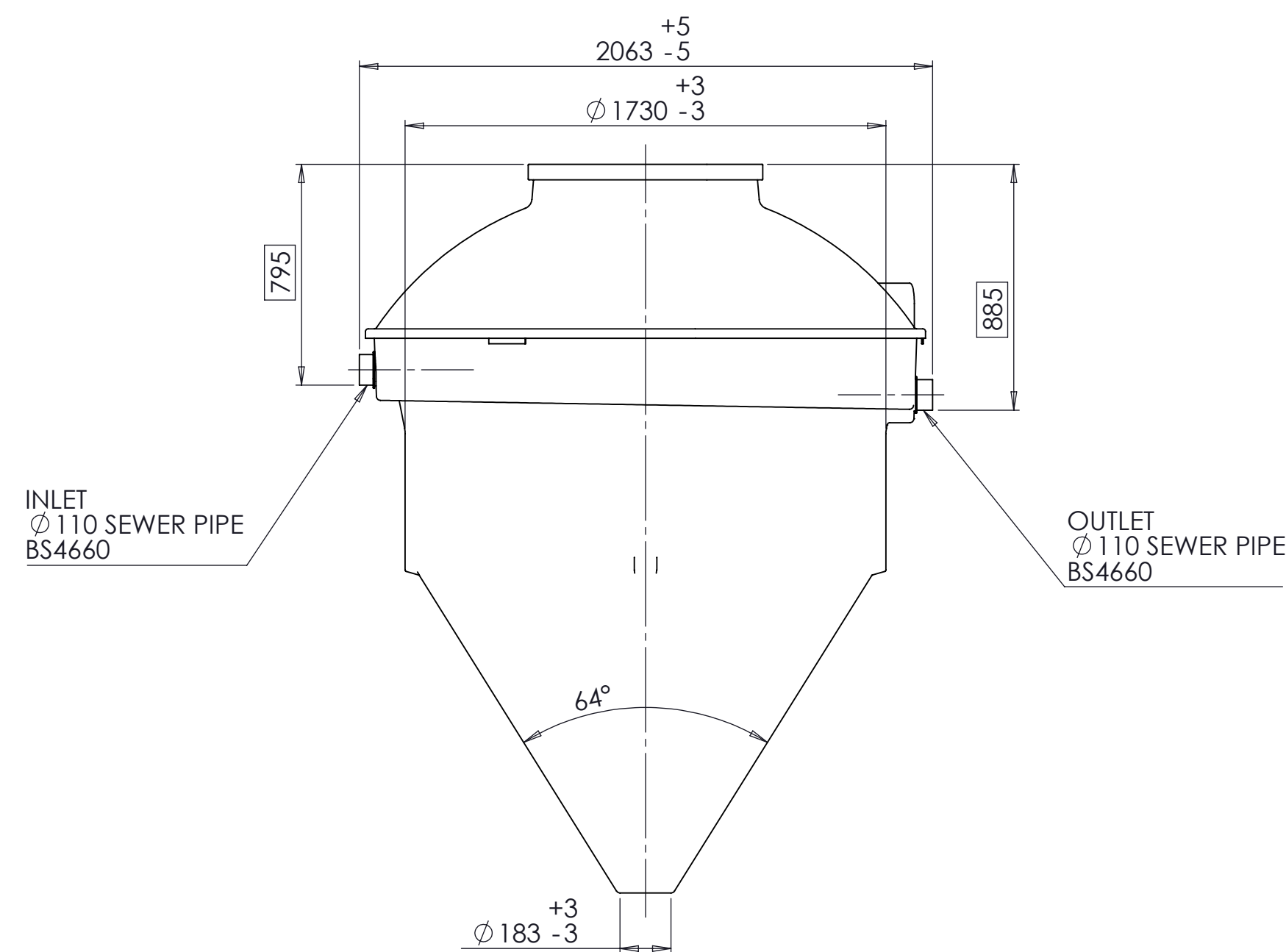
PLAN VIEW



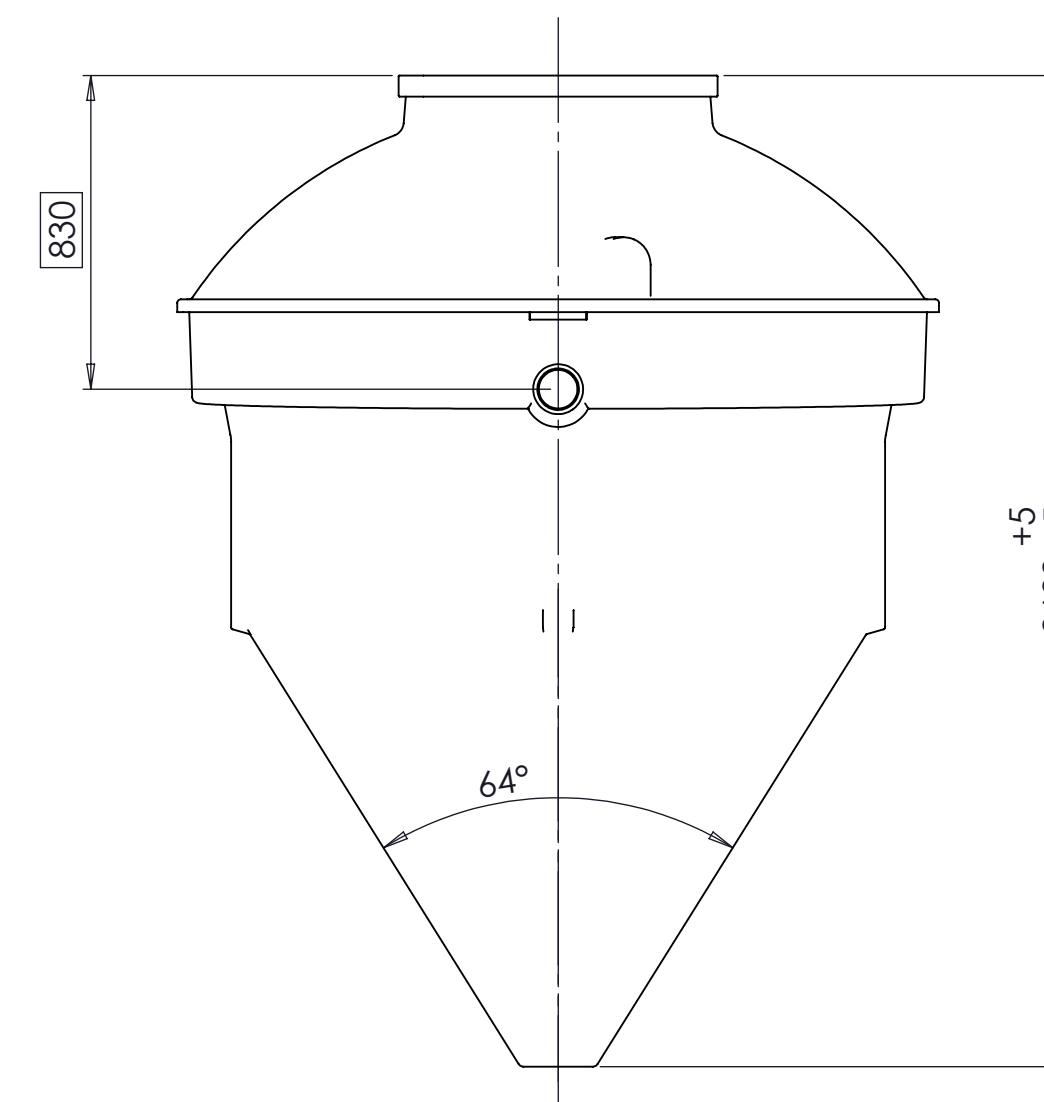
ISO VIEW RIGHT



FRONT VIEW



SIDE VIEW



REAR VIEW

DRAWING APPROVAL	
DATE	
APPROVED BY (PRINT)	
SIGNED:	

DRAWING NO.	VERSION
DMS3-SHT01	A

NOTES

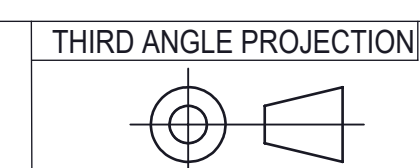
- 1.DIMENSIONS ARE SUBJECT TO DIMENSIONAL TOLERANCES AND RELATE TO THE COMPLEXITY AND FIT OF THE COMPONENTS TO BS EN ISO 5459:2011.
- 2.ALL DIMENSIONS IN MILLIMETERS.
- 3.COLOUR 14C39, RAL 6005.

REFERENCES:

-DMS3-SHT02
-DMS3-SHT03

COMPLIANCES:

- 1.COMPLY WITH BS EN ISO 5459:2011 GEOMETRICAL TOLERANCING.
- 2.THIS DRAWING BORDER IS COMPLIANT TO BS-8888:2011, SECTION 2.6.1
- 3.COMPLY WITH LOLER REGULATION



13/04/2016	RT	TH	TC	A	FIRST ISSUE
DATE	DRWN	CHKD	REVD	VER	REASON FOR ISSUE

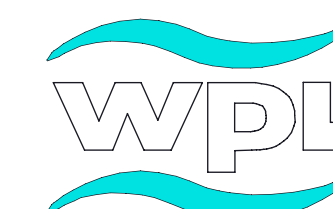
THIS DRAWING BORDER IS COMPLIANT TO BS-8888:2011, SECTION 2.6.1

THIS DRAWING IS ISSUED BY WPL LTD SUBJECT TO THE CONDITIONS THAT IT IS NOT COPIED EITHER IN WHOLE OR IN PART OR DISCLOSED TO THIRD PARTIES UNLESS PRIOR WRITTEN AUTHORISATION IS GIVEN BY WPL LTD. DO NOT SCALE THIS DRAWING - IF IN DOUBT ASK

WEIGHTS + DIMENSIONS:	
WEIGHTS 01:	
EMPTY WEIGHT	190 KG'S
OPERATING WEIGHT	3.222 KG'S
SHIPPING DIMS 01	
LENGTH	2.06 M
WIDTH	2.06 M
HEIGHT	2.6 M

LIFTING POINTS MARKED AS AN ENCIRCLED L	CENTER OF GRAVITY MARKED AS AN ENCIRCLED G
--	---

ANY DESIGNS OR INNOVATIONS REPRESENTED IN THE DRAWING SPACE ARE THE SOLE OWNERSHIP OF WPL LTD AND AS SUCH COPYRIGHT AND DESIGN RIGHTS IMPLICITLY APPLY.



WPL Ltd
Units 1 & 2 Aston road
Waterlooville
Hampshire
PO7 7UX

ORIGINATORS DRAWING No.	VERSION
DMS3-SHT01	A

PROJECT TITLE

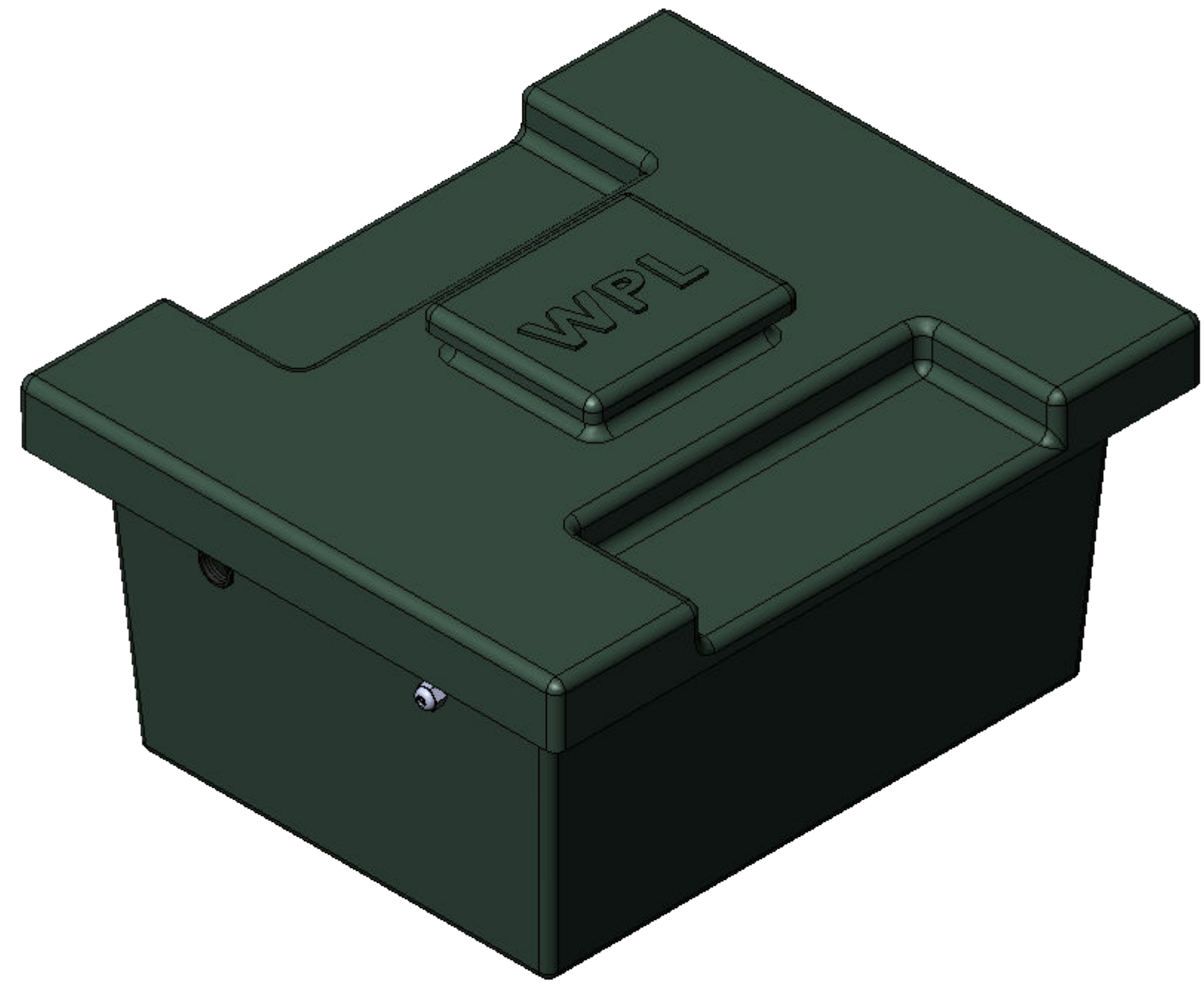
DMS3 DIAMOND

DRAWING TITLE

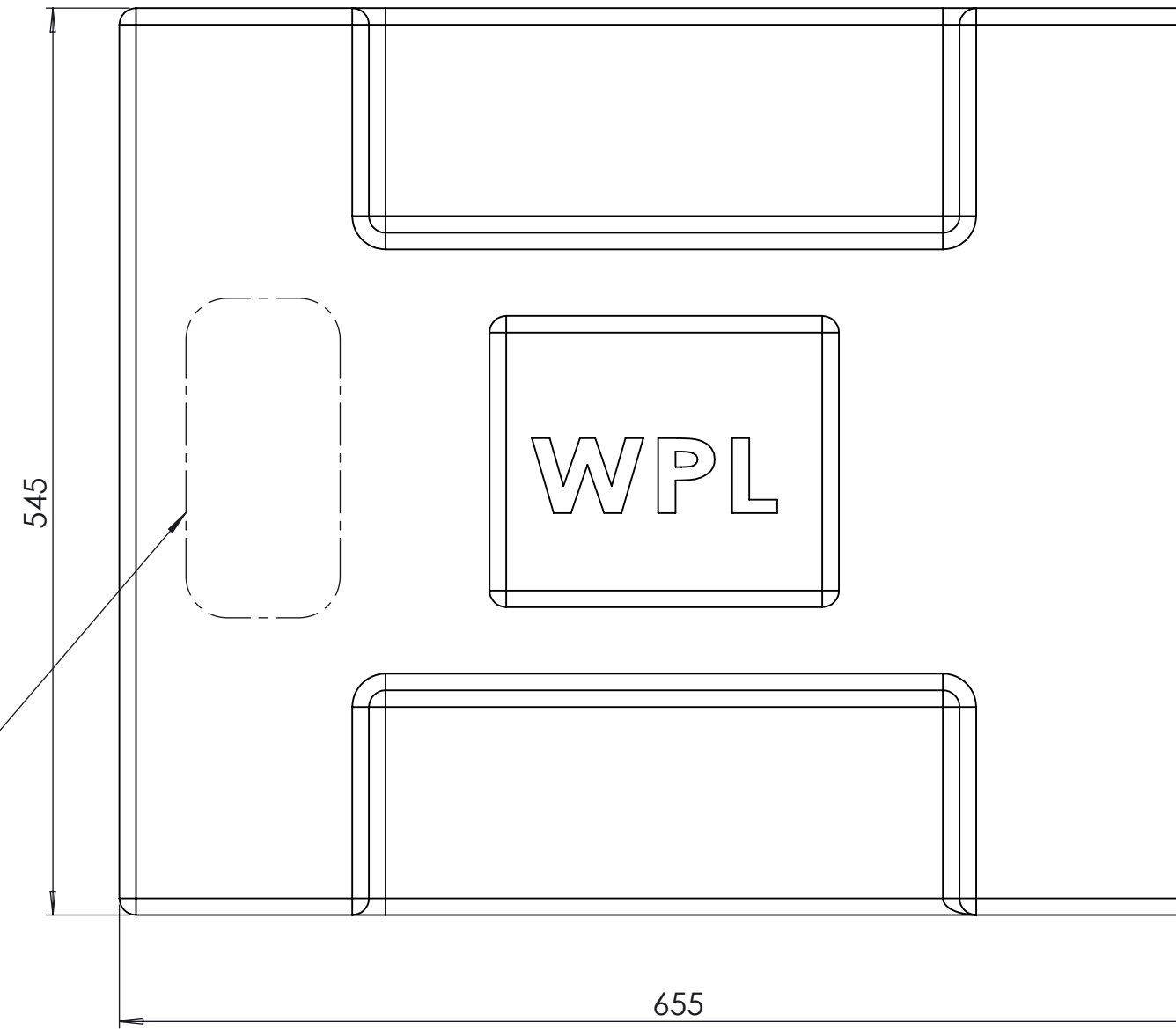
GENERAL ARRANGEMENT

SCALE	SITE No
1:20	NA

DRAWING NO.	VERSION
DMS3-SHT01	A

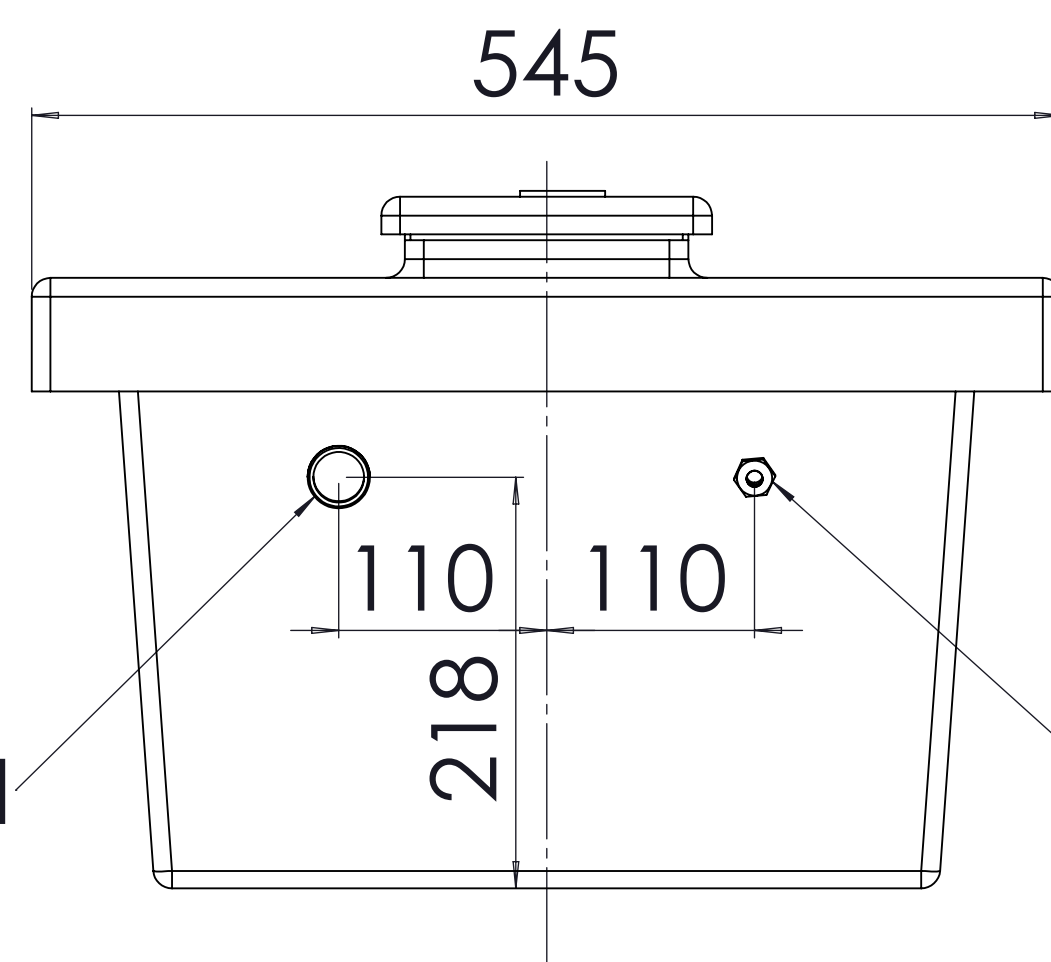


ISO VIEW



PLAQUE METALLIQUE
COLLEE SOUS LE
COUVERCLE

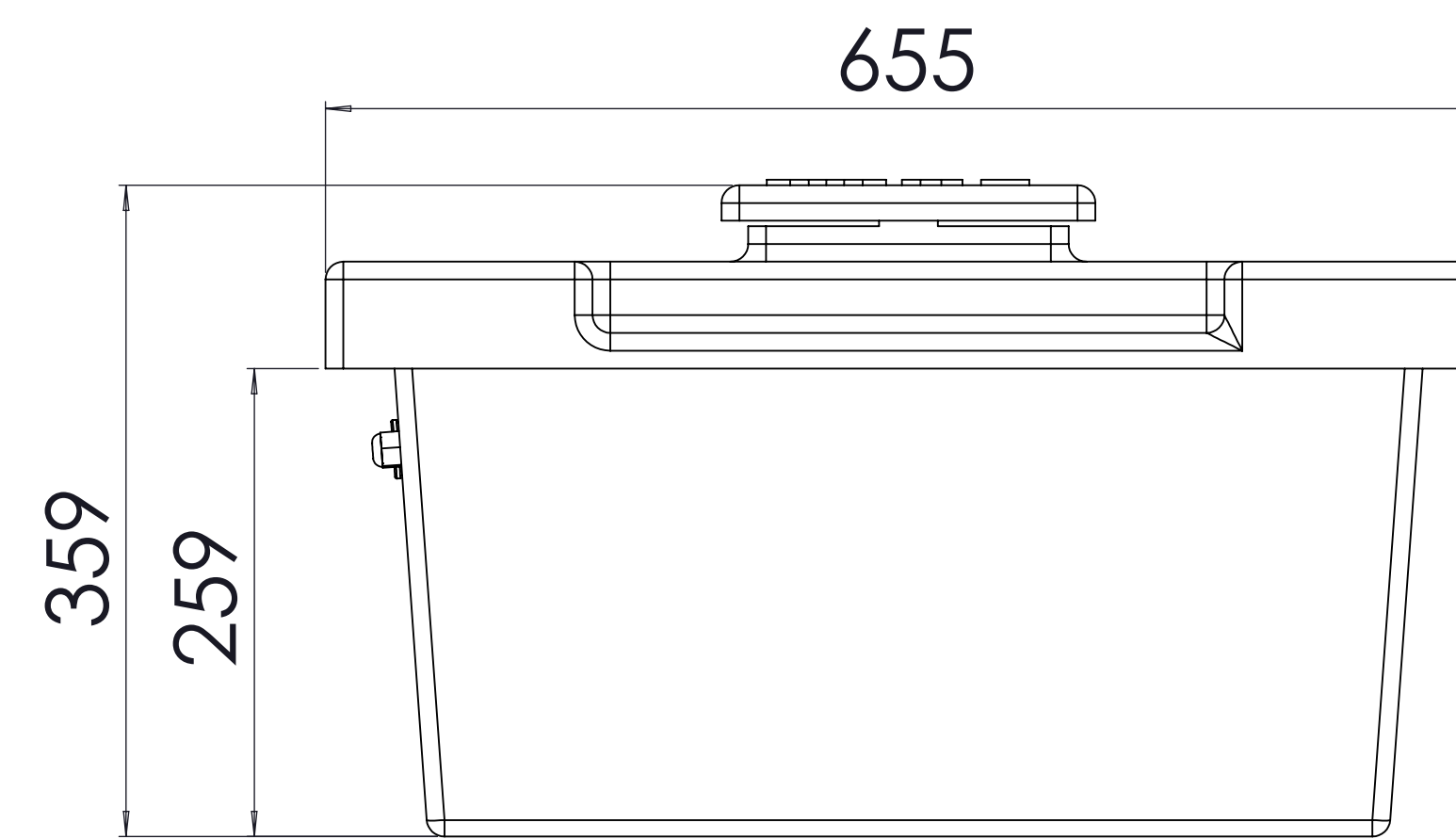
TOP VIEW



JOINT PASSAGE
GAINE AERATION

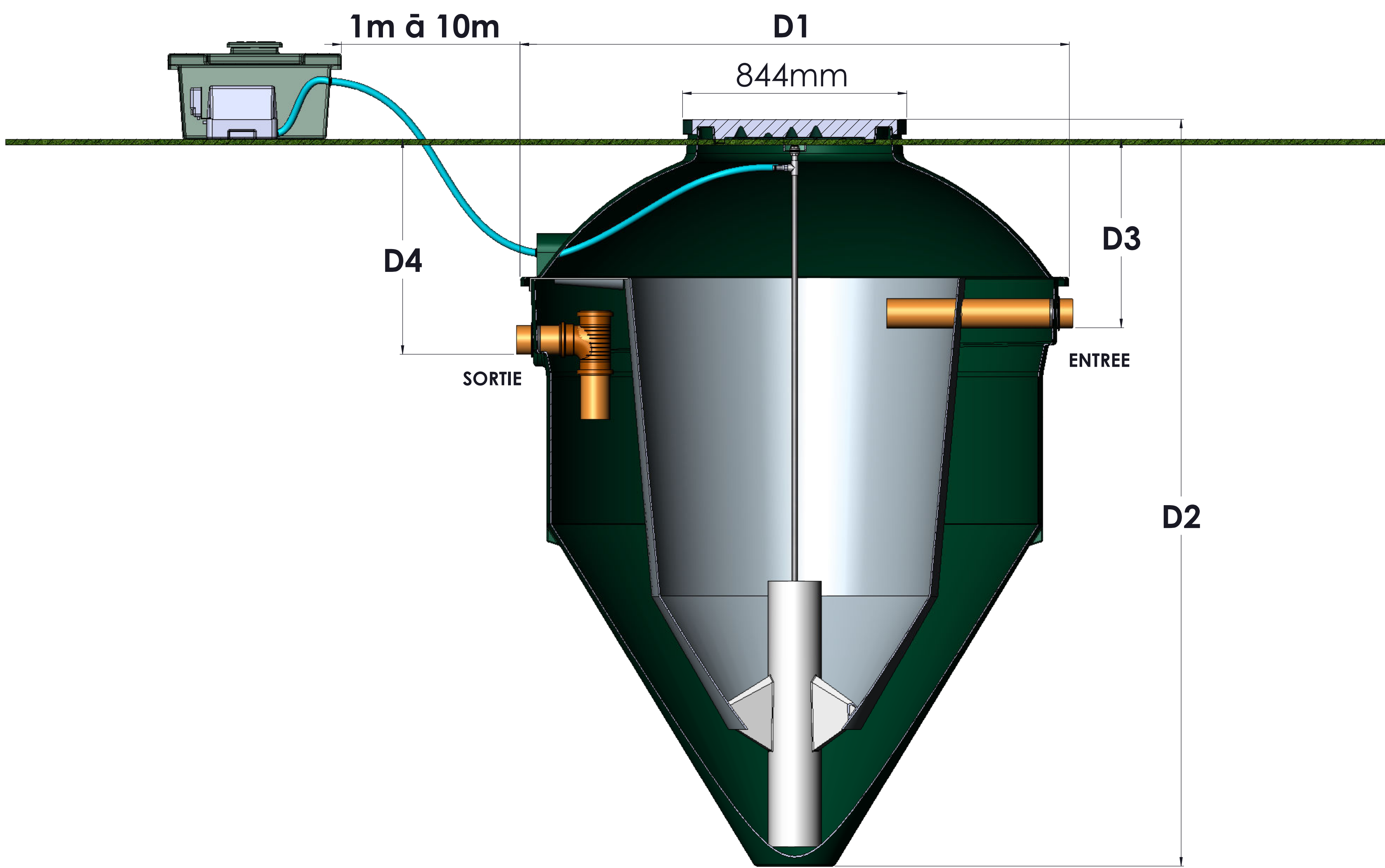
PRESSE-ETOUPE

VUE DE FACE



VUE DE COTE

DRAWING APPROVAL		DRAWING NO.	VERSION												
DATE		DD-652-008 FR	A												
APPROVED BY (PRINT)		NOTES													
SIGNED:		1.DIMENSIONS ARE SUBJECT TO DIMENSIONAL TOLERANCES AND RELATE TO THE COMPLEXITY AND FIT OF THE COMPONENTS TO BS EN ISO 5459:2011. 2.ALL DIMENSIONS IN MILLIMETERS. 3.DRAWING IN THIRD ANGLE PROJECTION.													
REFERENCES:															
COMPLIANCES:															
1.DIMENSIONS ARE SUBJECT TO DIMENSIONAL TOLERANCES AND RELATE TO THE COMPLEXITY AND FIT OF THE COMPONENTS TO BS EN ISO 5459:2011. 2.THIS DRAWING BOARDER IS COMPLIANT TO BS-8888:2011, SECTION 2.6.1															
LEGEND		THIRD ANGLE PROJECTION													
CURRENT VERSION INFORMATION															
A. FIRST ISSUE															
<table border="1"> <tr> <td>24/05/2017</td> <td>RT</td> <td>TC</td> <td></td> <td>A</td> <td>FIRST ISSUE</td> </tr> <tr> <th>DATE</th> <th>DRWN</th> <th>CHKD</th> <th>REVD</th> <th>VER</th> <th>REASON FOR ISSUE</th> </tr> </table>				24/05/2017	RT	TC		A	FIRST ISSUE	DATE	DRWN	CHKD	REVD	VER	REASON FOR ISSUE
24/05/2017	RT	TC		A	FIRST ISSUE										
DATE	DRWN	CHKD	REVD	VER	REASON FOR ISSUE										
<small>THIS DRAWING BOARDER IS COMPLIANT TO BS-8888:2011, SECTION 2.6.1 THIS DRAWING IS ISSUED BY WPL LTD SUBJECT TO THE CONDITIONS THAT IT IS NOT COPIED EITHER IN WHOLE OR IN PART OR DISCLOSED TO THIRD PARTIES UNLESS PRIOR WRITTEN AUTHORISATION IS GIVEN BY WPL LTD DO NOT SCALE THIS DRAWING - IF IN DOUBT ASK</small>															
WEIGHTS + DIMENSIONS:															
WEIGHTS 01:		WEIGHTS 02:													
EMPTY WEIGHT *****KG'S		EMPTY WEIGHT *****KG'S													
OPERATING WEIGHT *****KG'S		OPERATING WEIGHT *****KG'S													
SHIPPING DIMS 01		SHIPPING DIMS 02													
LENGTH *****M		LENGTH *****M													
WIDTH *****M		WIDTH *****M													
HEIGHT *****M		HEIGHT *****M													
LIFTING POINTS		CENTER OF GRAVITY													
MARKED AS AN ENCIRCLED (L)		MARKED AS AN ENCIRCLED (G)													
<small>ANY DESIGNS OR INNOVATIONS REPRESENTED IN THE DRAWING SPACE ARE THE SOLE OWNERSHIP OF WPL LTD AND AS SUCH COPYRIGHT AND DESIGN RIGHTS IMPLICITLY APPLY.</small>															
		WPL Ltd Units 1 & 2 Aston road Waterlooville Hampshire PO7 7UX													
ORIGNATORS DRAWING No.		VERSION													
DD-652-008 FR		A													
PROJECT TITLE															
ROTA DIAMOND KIOSK FRANCE															
DRAWING TITLE															
SCALE		SITE No													
NTS		0000													
DRAWING NO.		VERSION													
DD-652-008 FR		A													



DRAWING APPROVAL		DRAWING NO.	VERSION												
DATE		0000-00	A												
APPROVED BY (PRINT)		NOTES													
SIGNED:		1. DIMENSIONS ARE SUBJECT TO DIMENSIONAL TOLERANCES AND RELATE TO THE COMPLEXITY AND FIT OF THE COMPONENTS TO BS EN ISO 5459:2011. 2. ALL DIMENSIONS IN MILLIMETERS. 3. DRAWING IN THIRD ANGLE PROJECTION.													
REFERENCES:															
COMPLIANCES:															
1. DIMENSIONS ARE SUBJECT TO DIMENSIONAL TOLERANCES AND RELATE TO THE COMPLEXITY AND FIT OF THE COMPONENTS TO BS EN ISO 5459:2011. 2. THIS DRAWING BOARDER IS COMPLIANT TO BS-8888:2011, SECTION 2.6.1															
LEGEND	THIRD ANGLE PROJECTION														
CURRENT VERSION INFORMATION															
A. FIRST ISSUE															
<table border="1"> <tr> <td>11/03/2016</td> <td>TC</td> <td>TH</td> <td></td> <td>A</td> <td>FIRST ISSUE</td> </tr> <tr> <td>DATE</td> <td>DRWN</td> <td>CHKD</td> <td>REVD</td> <td>VER</td> <td>REASON FOR ISSUE</td> </tr> </table>				11/03/2016	TC	TH		A	FIRST ISSUE	DATE	DRWN	CHKD	REVD	VER	REASON FOR ISSUE
11/03/2016	TC	TH		A	FIRST ISSUE										
DATE	DRWN	CHKD	REVD	VER	REASON FOR ISSUE										
<small>THIS DRAWING BOARDER IS COMPLIANT TO BS-8888:2011, SECTION 2.6.1 THIS DRAWING IS ISSUED BY WPL LTD SUBJECT TO THE CONDITIONS THAT IT IS NOT COPIED EITHER IN WHOLE OR IN PART OR DISCLOSED TO THIRD PARTIES UNLESS PRIOR WRITTEN AUTHORISATION IS GIVEN BY WPL LTD DO NOT SCALE THIS DRAWING - IF IN DOUBT ASK</small>															
WEIGHTS + DIMENSIONS:															
WEIGHTS 01:		WEIGHTS 02:													
EMPTY WEIGHT	*****KG'S	EMPTY WEIGHT	*****KG'S												
OPERATING WEIGHT	*****KG'S	OPERATING WEIGHT	*****KG'S												
SHIPPING DIMS 01		SHIPPING DIMS 02													
LENGTH	*****M	LENGTH	*****M												
WIDTH	*****M	WIDTH	*****M												
HEIGHT	*****M	HEIGHT	*****M												
LIFTING POINTS		CENTER OF GRAVITY													
MARKED AS AN ENCIRCLED (L)		MARKED AS AN ENCIRCLED (G)													
<small>ANY DESIGNS OR INNOVATIONS REPRESENTED IN THE DRAWING SPACE ARE THE SOLE OWNERSHIP OF WPL LTD AND AS SUCH COPYRIGHT AND DESIGN RIGHTS IMPLICITLY APPLY.</small>															
		WPL Ltd Units 1 & 2 Aston road Waterlooville Hampshire PO7 7UX													
ORIGNATORS DRAWING No.			VERSION												
0000-00			A												
PROJECT TITLE															
0000-00															
DRAWING TITLE															
WPL															
SITE		SITE No													
NTS		0000													
DRAWING NO.			VERSION												
0000-00			A												